

Castle  
Library

Upstage Traveler

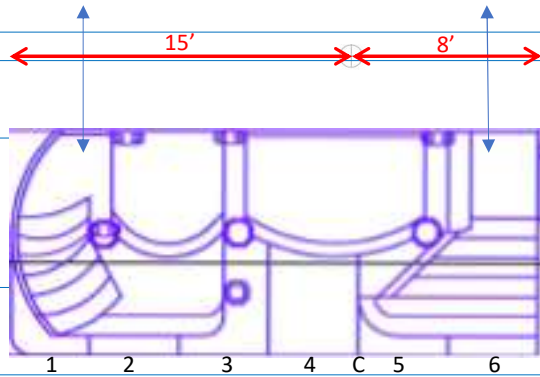
Forest

Tavern

Castle Door

Forest Border

DL4  
DL3  
DL2  
DL1



- #30-28'-8" - CYCLORAMA
- #29-27'-4" - GENERAL PURPOSE
- #28-26'-8" - GENERAL PURPOSE
- #27-25'-4" - G.P./CYC ELECTRIC
- #26-24'-8" - GENERAL PURPOSE
- #25-24'-0" - UPSTAGE TRAVELER
- #24-22'-8" - #4 ELECTRIC
- #23-21'-4" - GENERAL PURPOSE
- #22-20'-8" - GENERAL PURPOSE
- #21-20'-0" - #4 LEGS
- #20-19'-4" - #4 BORDER
- #19-18'-0" - GENERAL PURPOSE
- #18-17'-4" - GENERAL PURPOSE
- #17-16'-0" - #3 ELECTRIC
- #16-14'-8" - #3 LEGS
- #15-14'-0" - #3 BORDER
- #14-13'-4" - GENERAL PURPOSE
- #13-12'-8" - GENERAL PURPOSE
- #12-12'-0" - MID-STAGE TRAVELER
- #11-11'-4" - GENERAL PURPOSE
- #10-10'-0" - ELECTRIC
- #9-8'-8" - #2 LEGS
- #8-8'-0" - #2 BORDER
- #7-6'-8" - GENERAL PURPOSE
- #6-6'-0" - GENERAL PURPOSE
- #5-5'-4" - GENERAL PURPOSE
- #4-4'-0" - #1 ELECTRIC
- #3-3'-0" - #1 LEGS
- #2-2'-4" - #1 BORDER
- #1-1'-8" - MAIN CURTAIN
- #0'-4" - FIRE CURTAIN

CORRIDOR

STORAN  
U113  
79 SF

STORAGI  
U114A  
94 SF